



Teknik Katalog



Technical Catalogue



Catalogue Technique



Catálogo Técnico

Kem-P[®] Vibration Motors



INDUSTRIAL



EVM/D

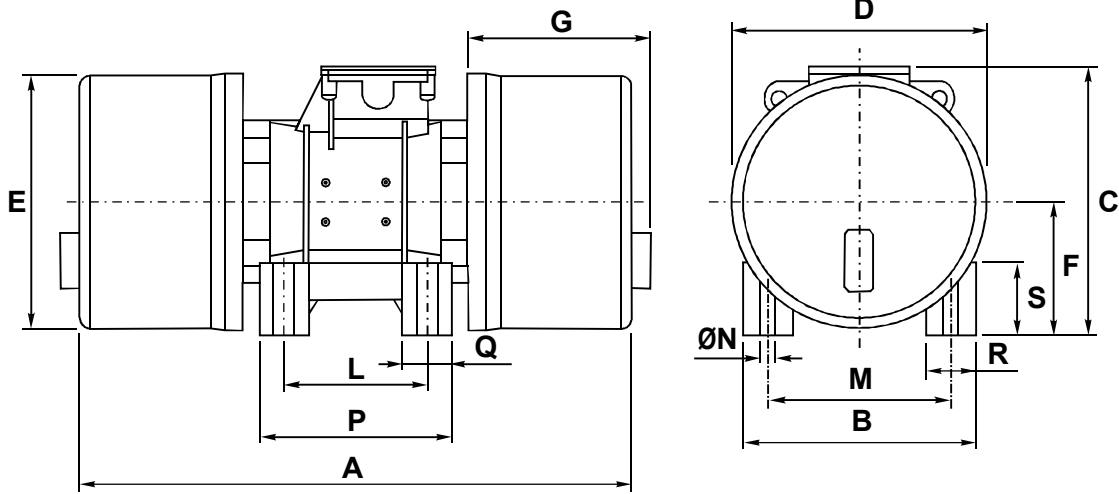
CE ISO 9001 : 2000

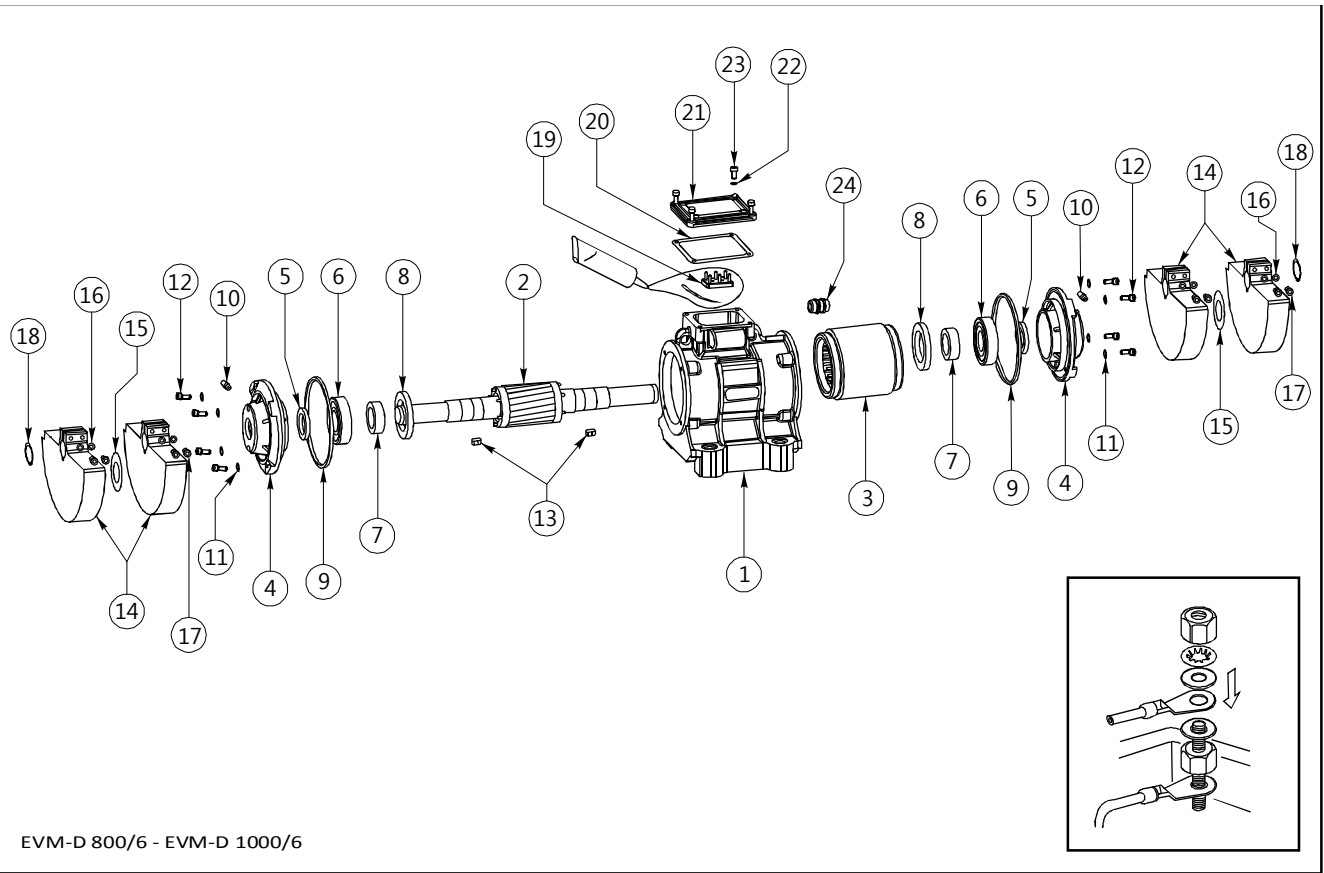
Model Type Modelo	Gövde Size Grand. Tam.	Devir rpm Cycle Revol	Santrüfuj Kuvveti Centrifugal Force Fuerza Centrifuga (Kg) (KN)		(*)Statik Moment Statical Moment Momento Statique Momento Estatico (Kgmm)	Ağırlık Weight Poids Peso (Kg)	Giriş Gücü Input Power Puissance Potencia (W)	Nominal Akım Nom. Current Courant Nominal Corriente Nominal (A)
EVM-D 450/6	04	6 0 0	461	4,522	1150	51	280	1,45
EVM-D 550/6	04		533	5,229	1375	58	280	1,48
EVM-D 650/6	04		600	5,886	1702	59	300	1,55
EVM-D 800/6	05		728	7,142	1702	70	400	1,74
EVM-D 1000/6	05		979	9,604	2516	86	520	2,10

(*) Working moment = 2x static moment

Gövde Ölçüleri - Overall Dimensions - Dimensions Totales - Dimensiones Totales (mm)

Model Type Modelo	Gövde Size Grand. Tam.	Rif	A	B	C	D	ØE	F	G	L	M	ØN	P	Q	R	S
EVM-D 450/6	04	--	480	210	268	260	258	135	155	120	170	4xM16	160	40	50	85
EVM-D 550/6	04	--	480	210	268	260	258	135	155	120	170	4xM16	160	40	50	85
EVM-D 650/6	04	--	480	210	268	260	258	135	155	120	170	4xM16	160	40	50	85
EVM-D 800/6	05	--	562	236	278	263	263	135	186	140±150	190	4xM16	195	50	50	75
EVM-D 1000/6	05	--	562	236	278	263	263	135	186	140±150	190	4xM16	195	50	50	75





No / Pos. No / No	Kod / Code Code /Código	Parça Adı	Description	Description	Descripción	Adet / Q.TY QTE /CANT.
1		Gövde	Body	Corps	Masa	1
2		Stator	Stator	Stator	Stator	1
3		Rotor	Rotor	Rotor	Rotor	1
4		Rulman Kapağı	Bearing Cover	Couvercle Du Palier	Cobertura Del Rodamiento	2
5		Keçe_60x40x7	Seal Ring_60x40x7	Feutre_60x40x7	Manguito_60x40x7	2
6		Rulman	Bearing	Roulement	Rodamiento	2
7		Keçe Mil Burcu	Spacer	Entretoise De Feutre	Eriestra De Manguito	2
8		Keçe_90x60x10	Seal Ring_90x60x10	Feutre_90x60x10	Manguito_90x60x10	2
9		İç O-Ring	Inner O-Ring	Joint Torque Interne	Junta Torica In Terna	2
10		Grasörük	Grease Nipple	Graisseur	Engrasador	2
11		M8_Tırtıllı Rondela	M8_Washer	Rondelle_M8	Arandela_M8	8
12		M8x25_İmbus	M8x25_Screw	Vis_M6x25	Tornillo_M6x25	8
13		Kama_A8x8x16	Key_A8x8x16	Cheville_A8x8x16	Chaveta_A8x8x16	2
14		Ağırlık	Weight	Podis	Peso	4
15		Derece	Adjusting Plate	Degre	Placa De Ajuste	2
16		M10_Tırtıllı Rondela	M10_Washer	Rondelle_M10	Arandela_M10	4
17		M10x30_İmbus	M10x30_Screw	Vis_M10x30	Tornillo_M10x30	4
18		D:35_Mil Segmanı	D:35_Shaft Stop Ring	D:35_Segment D'arbre	D:35_Segmento De Paro De Eje	2
19		Klemens	Terminal Block	Borne	Conector Electrico	1
20		Conta	Flat Gasket	Joint	Junta	1
21		Klemens Kapağı	Terminal Cover	Couvercle De La Borne	Cobertura De La Conector Electrico	1
22		M6_Tırtıllı Rondela	M6_Washela	Rondelle_M6	Arandela_M6	4
23		M6x16_İmbus	M6x16_Screw	Vis_M6x16	Tornillo_M6x16	4
24		Rekor	Cable Grip	Cable Prise	Cable Toma	1
25						
26						
27						
28						
29						
30						

