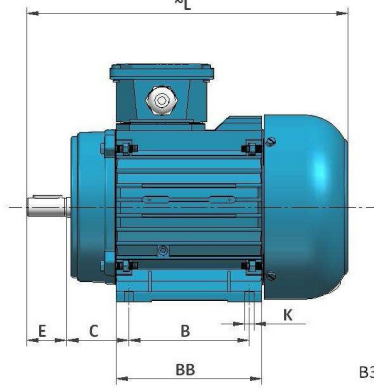
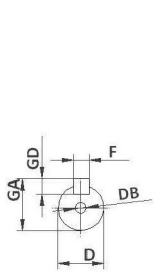
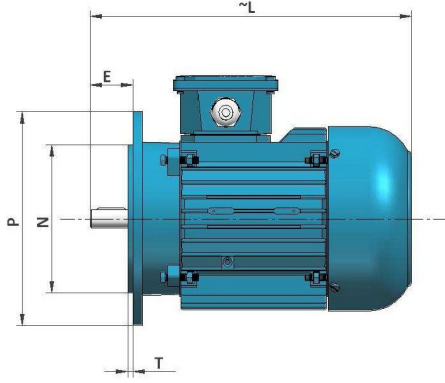
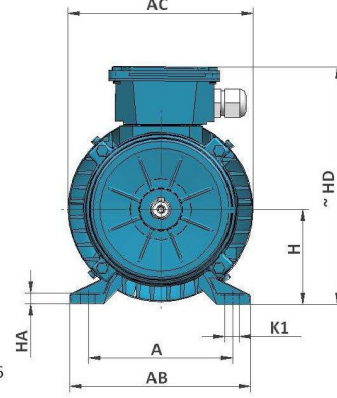


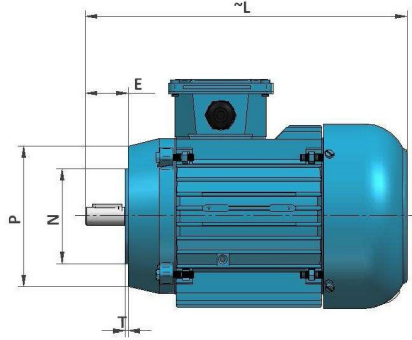
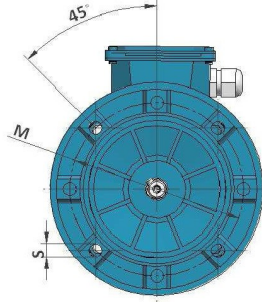
## TRİFAZE MOTOR ÖLÇÜLERİ/ DIMENSIONS OF THREE-PHASE MOTORS



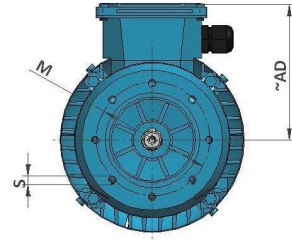
B3-B6-B7-B8-V5-V6



B5-V1-V3



B14-V18-V19



Yapı Büyüklüğü Frame Size	Kutup Sayısı Number of Pole	TEMEL ÖLÇÜLER MAIN DIMENSIONS		AYAKLI MOTORLAR FOOT MOUNTED MOTORS										FLANŞLI MOTORLAR FLANGED MOTORS							MİL UCU SHAFT				
		AC Ø	L	H	HD	HA	A	AB	K1	B	BB	KØ	C	Yapı Şekli Type of Construct.	PØ	*NØ	MØ	SØ	T	AD ~	**DØ	E	DB	GA	FxGD
56	2-4	112	172	56	140	6	90	110	7	71	81	6	36	B5	120	80	100	7	3	84	9	20	-	10.2	3x3
														B14	80	50	65	M5	2.5						
63	2-4	122	205	63	165	7	100	120	10	80	102	7	40	B5	140	95	115	10	3	102	11	23	-	12.5	4x4
														B14	90	60	75	M5	2.5						
71	2-4-6	139	243	71	178	8	112	135	11	90	109	7	45	B5	160	110	130	10	3	107	14	30	M5	16	5x5
														B14	105	70	85	M6	2.5						
80	2-4-6	155	278	80	195	10.5	125	152	13	100	129	9	50	B5	200	130	165	12	3.5	115	19	40	M6	21.5	6x6
														B14	120	80	100	M6	3						
90	S L	2-4-6	176	300 325	90	215	13	140	170	13	100 131 125 156	10	56	B5	200	130	165	12	3.5	125	24	50	M8	27	8x8
														B14	140	95	115	M8	3						
100	2-4-6	195	365	100	235	14	160	192	18	140	165	12	63	B5	250	180	215	15	4	135	28	60	M10	31	8x8
														B14	160	110	130	M8	3.5						
112	2-4-6	218	385	112	258	14	190	230	18	140	175	12	70	B5	250	180	215	15	4	146	28	60	M10	31	8x8
														B14	160	110	130	M8	3.5						
132	S M	2-4-6	250	454 492	132	330	16	224	260	28	140 180 178 218	12.5	70	B5	300	230	265	15.5	4	199	38	80	M12	41	10x8
														B14	200	130	165	M12	3.5						

\* Tolerans j6 / Tolerance j6

\*\* Tolerans j6 / Tolerance j6

Tüm ölçüler mm'dir. / All dimensions in mm.